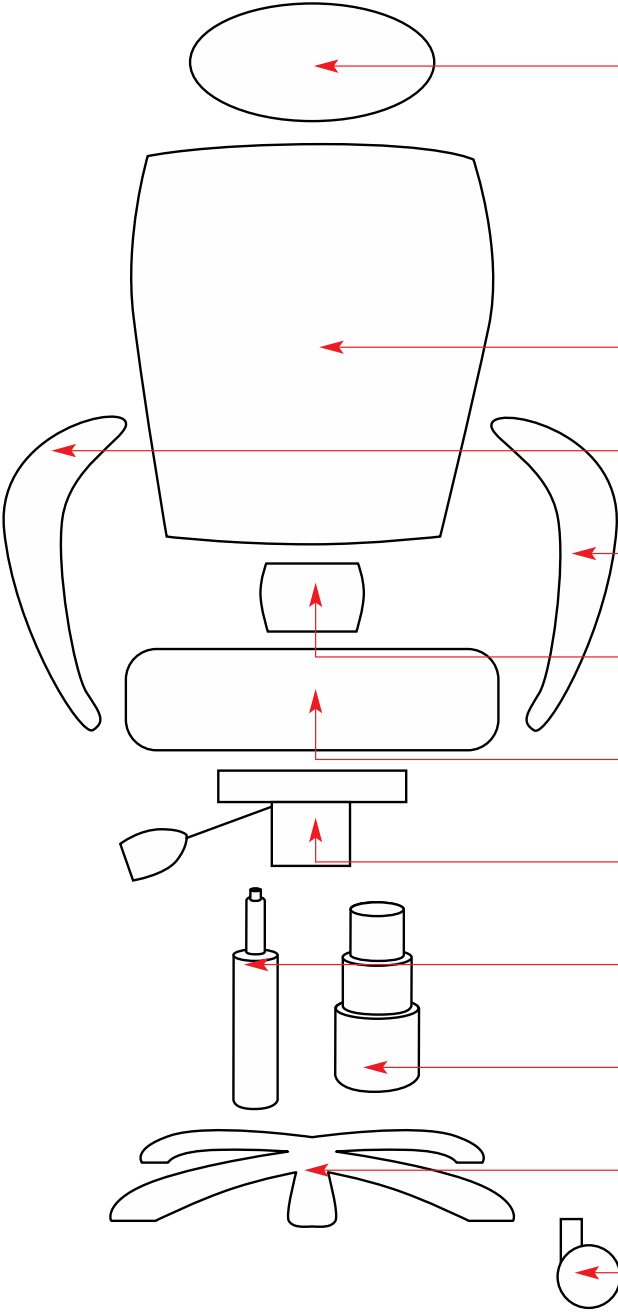


PRODUCT	GOLIATH	B991LF
---------	---------	--------



HEADREST	N/A	
BACKREST	Z881	
ARM <i>RH when seated</i>	Z012 (FRAME WITH ARMPADS)	
ARM <i>LH when seated</i>	Z012 (FRAME WITH ARMPADS)	
BACK BRACKET/MECH	ATTACHED	
SEAT	Z881S	MECHANISM SCREW DIMENSIONS IN CM
MECHANISM	Z065G	
GAS LIFT	Z29	
TELESCOPE	Z35	
FIVE STAR BASE	Z154G	
CASTORS	Z010	

FIXINGS M6*30 x4 (Back bar screws), M6*55 x1 (back bar screw), back bar cup x1, M6*25 x9 (arm screws), Allen key x1

UNIQUE PARTS

NOTES